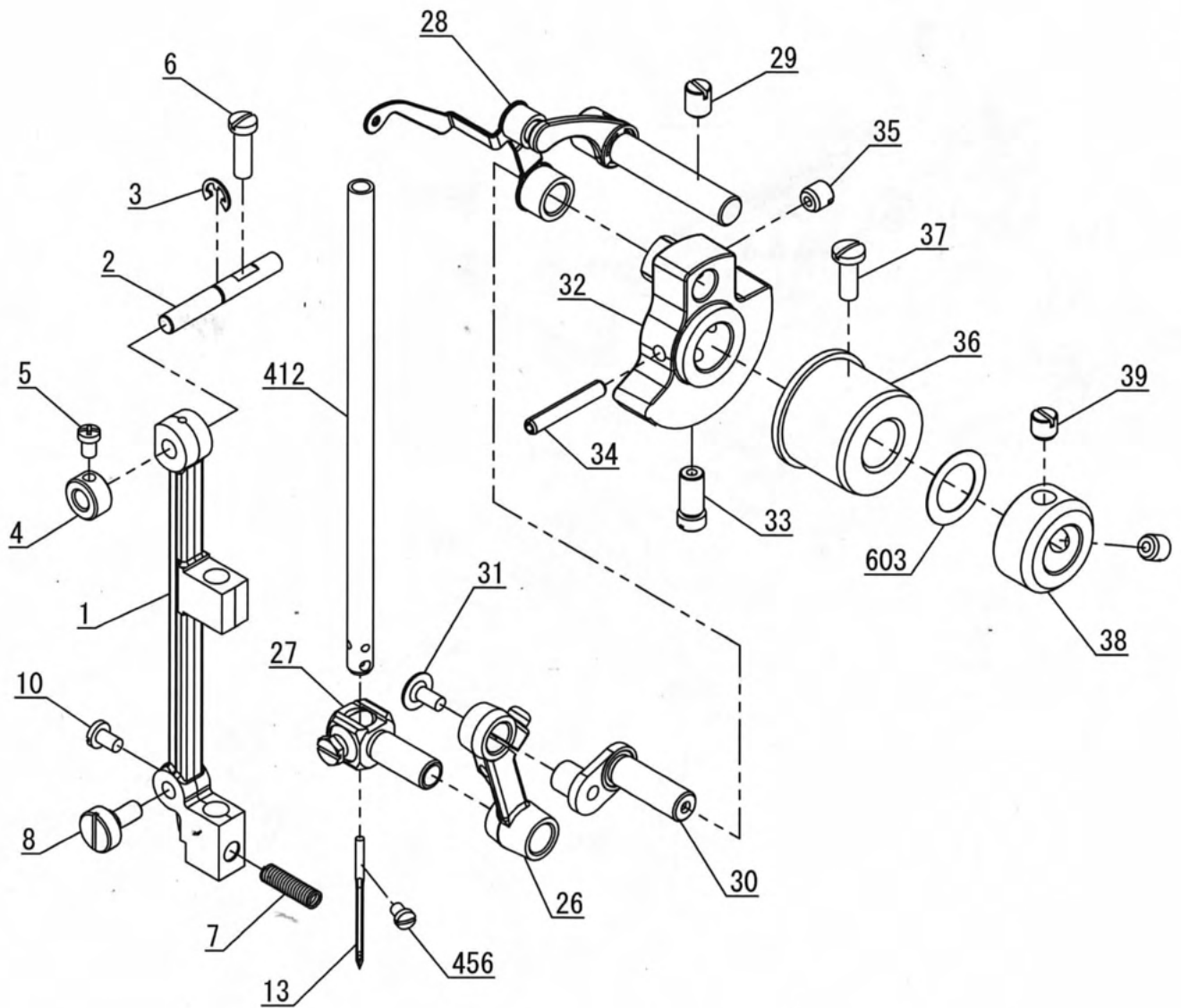
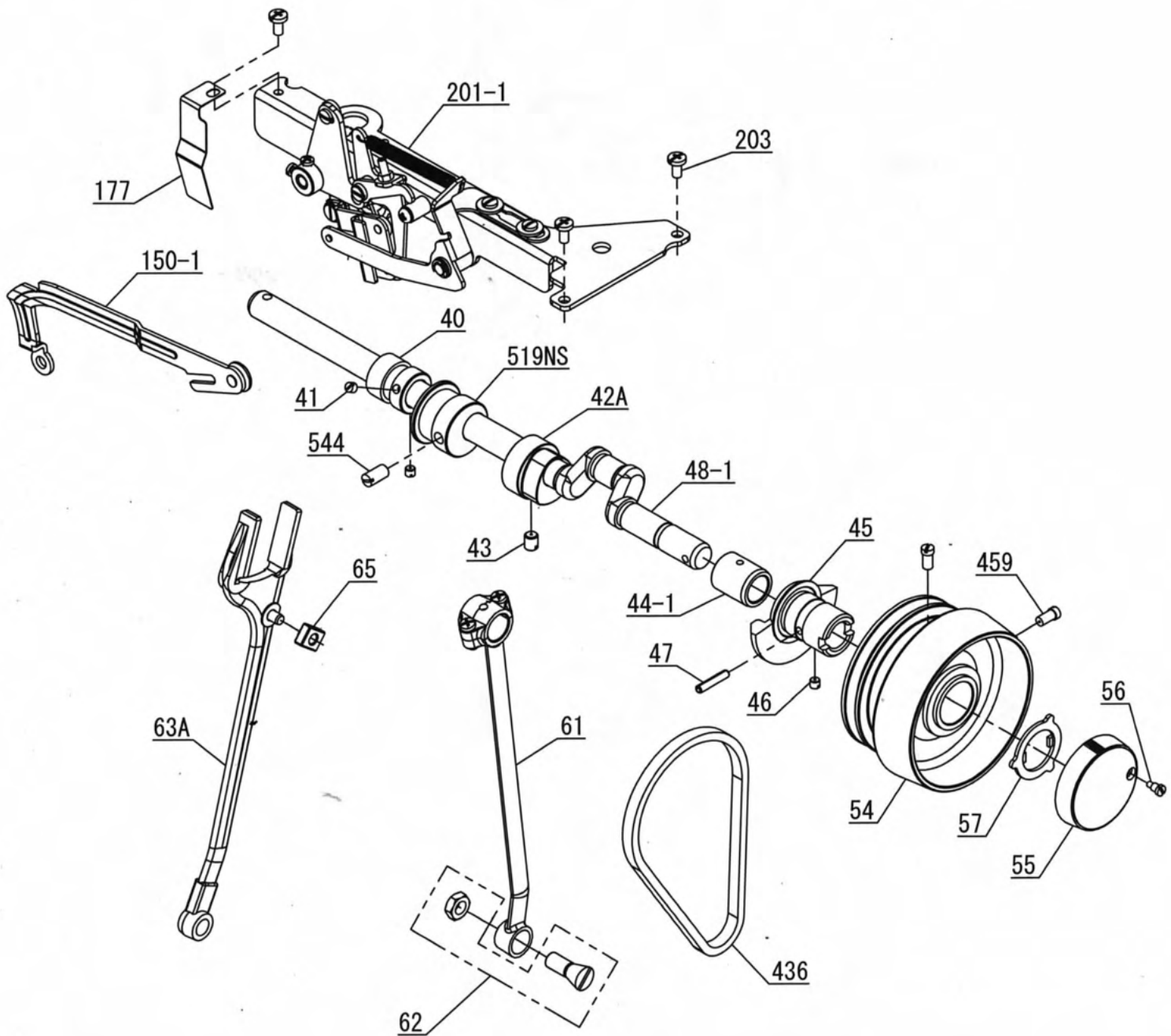


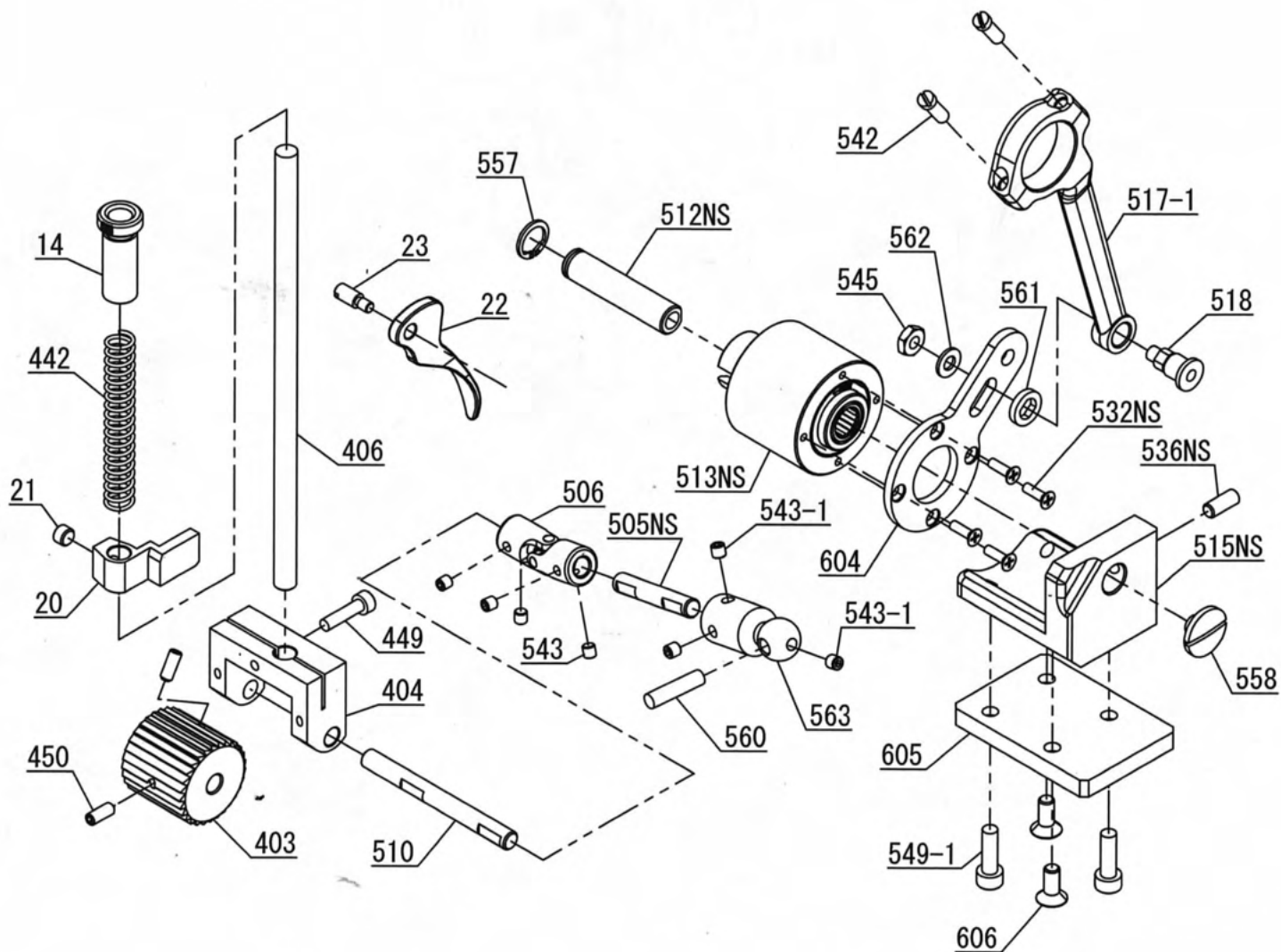
Part No.	Name of parts	Qty	Part No.	Name of parts	Qty
49-1E	Face plate	1	163	Set screw for 161-1	3
50	Face plate hinge pin	1	182-1	Oil pin	3
51	Face plate hinge	1	204E	Front plate	1
52	Set screw for 51	1	420	Tape guide A asm.	1
76	Tension dial assembly	1	421	Tape guide B asm.	1
77	Set screw for 76	1	426	Carrying handle	1
78	Face plate thread guide	1	446	Set screw for 421	1
79	Set screw for 78	2	448-1	Set screw for 426	2
80	Arm thread guide	1	461	Set screw for 420	1
81	Set screw for 80	1	470	Washer for 420	1
82	Spring washer for 81	1	476	Caution note label B	1
83	Washer for 81	1	507A	Thread guide tube	1
151-1E	Top plate	1	525A-1	Spool holder asm.	1
152	Set screw for 151-1	2	601	Washer for 151-1	2
153	Top plate thread guide	1	602	Set screw for 525A-1	1
154	Set screw for 153	1			
161-1E	Belt cover	1			



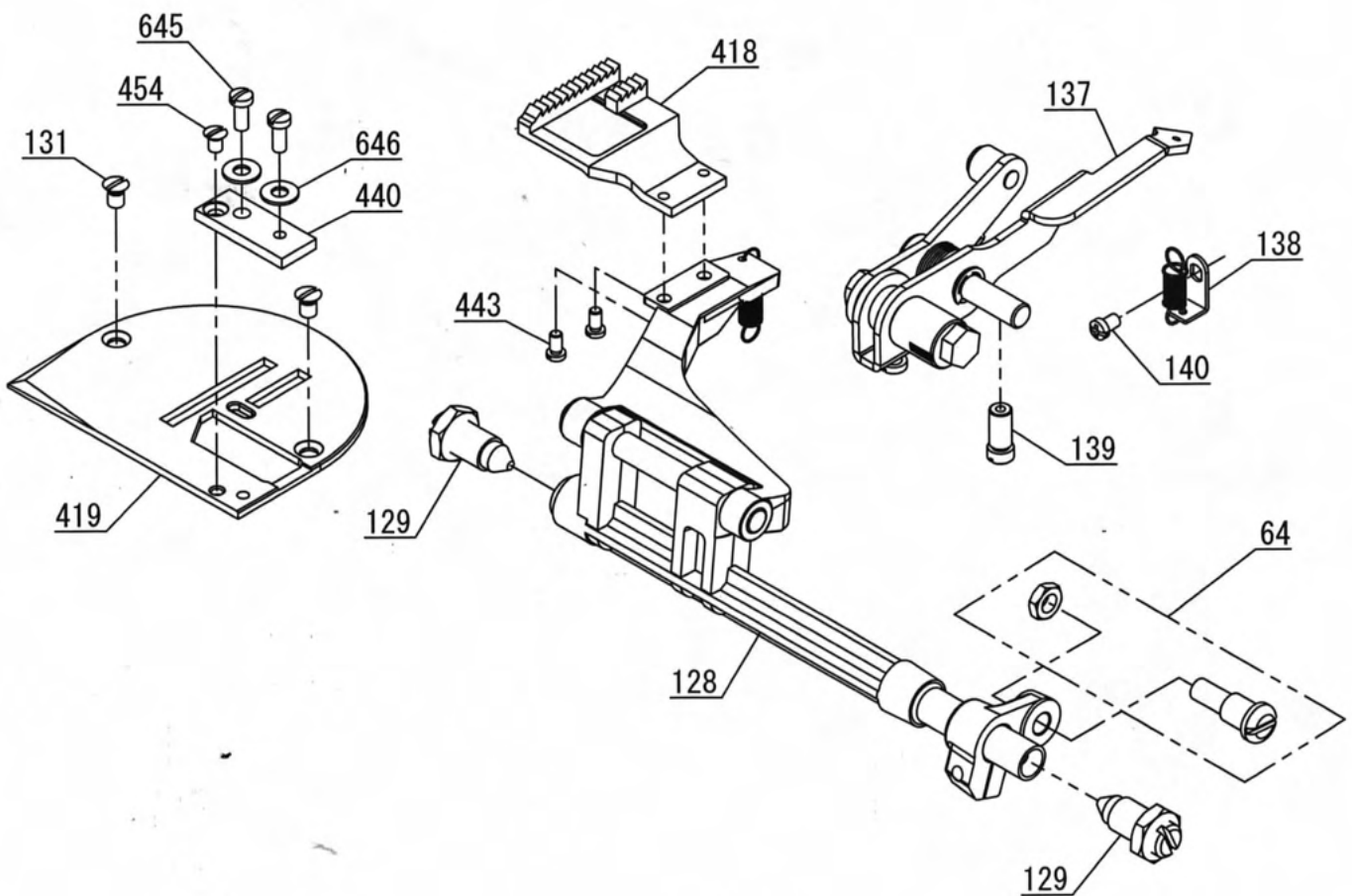
Part No.	Name of parts	Qty	Part No.	Name of parts	Qty
1	Needle bar driving frame	1	30	Take-up lever crank	1
2	Needle bar driving frame pin	1	31	Set screw for 30	1
3	Snap ring for 2	1	32	Arm shaft crank	1
4	Collar for 2	1	33	Set screw(A) for 32	1
5	Set screw for 4	1	34	Spring pin for 32	1
6	Set screw for 2	1	35	Set screw(B) for 32	1
7	Zigzag driving crank spring	1	36	Arm shaft front bushing	1
8	Adjusting screw for 1	1	37	Set screw for 36	1
10	Set screw for 8	1	38	Arm shaft collar	1
13	Needle 435 #22	1	39	Set screw for 38	2
26	Needle bar connecting link	1	412	Needle bar	1
27	Needle bar connection stud	1	456	Set screw for 412	1
28	Take-up lever	1	603	Shim washer	1
29	Set screw for 28	1			



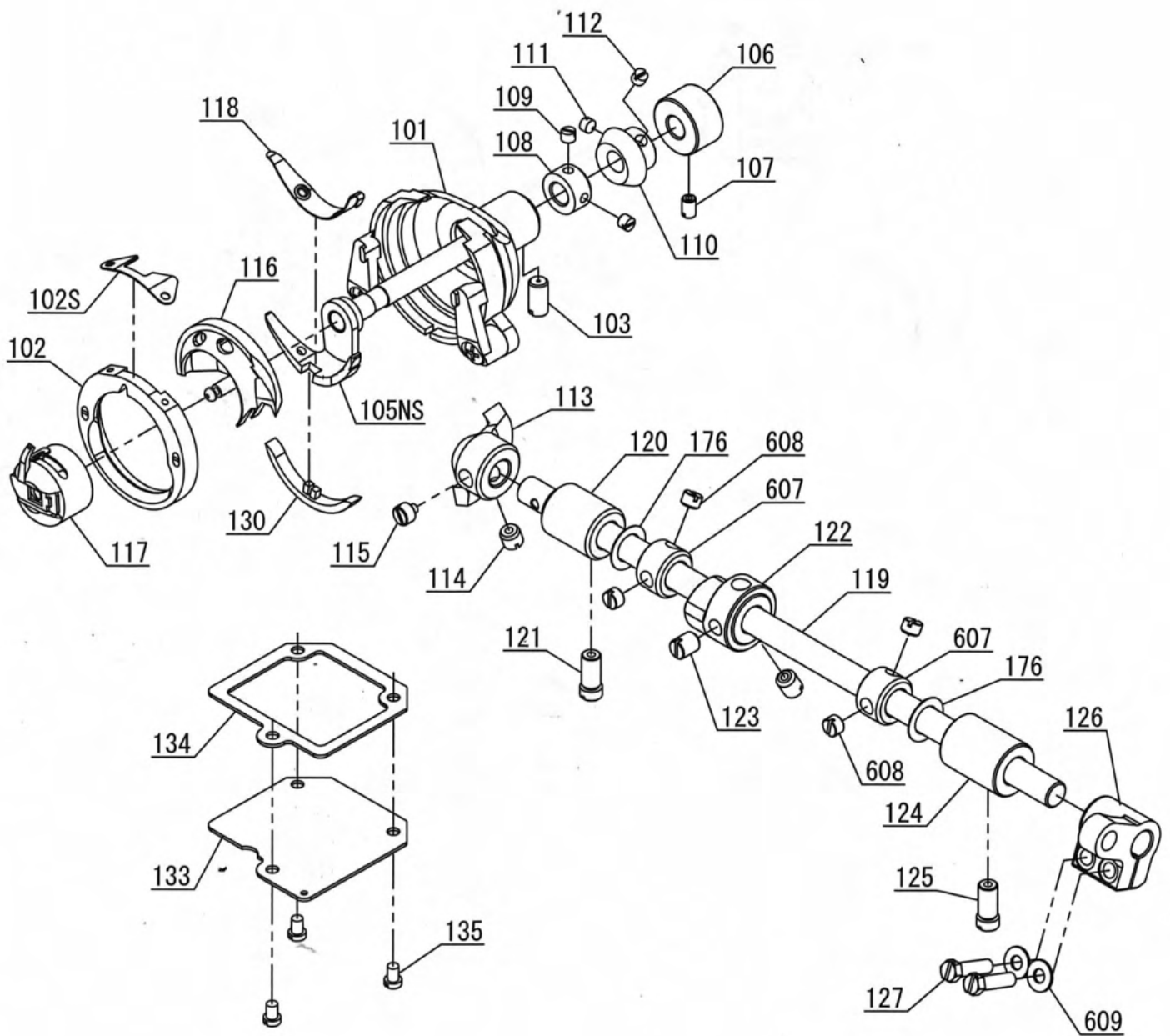
Part No.	Name of parts	Qty	Part No.	Name of parts	Qty
40	Worm gear	1	61	Crank rod	1
41	Set screw for 40	2	62	Crank rod hinge screw w/nut	1
42A	feed cum	1	63A	Forled rod	1
43	Set screw for 42A	1	65	Feed regulator slide block	1
44-1	Arm shaft back bushing	1	150-1	Zigzag driving crank	1
45	Hand wheel bushing	1	177	Zigzag driving crank guide	1
46	Set screw for 45	1	201-1	Unit frame assembly	1
47	Spring pin for 45	1	203	Set screw for 201-1	3
48-1	Arm shaft	1	436	V-belt	1
54	Hand wheel	1	459	Set screw for 54	2
55	Stop motion screw	1	519NS	Feed driving eccentric cam asm.	1
56	Stop motion clamp screw	1	544	Set screw for 519	1
57	Stop motion washer	1			



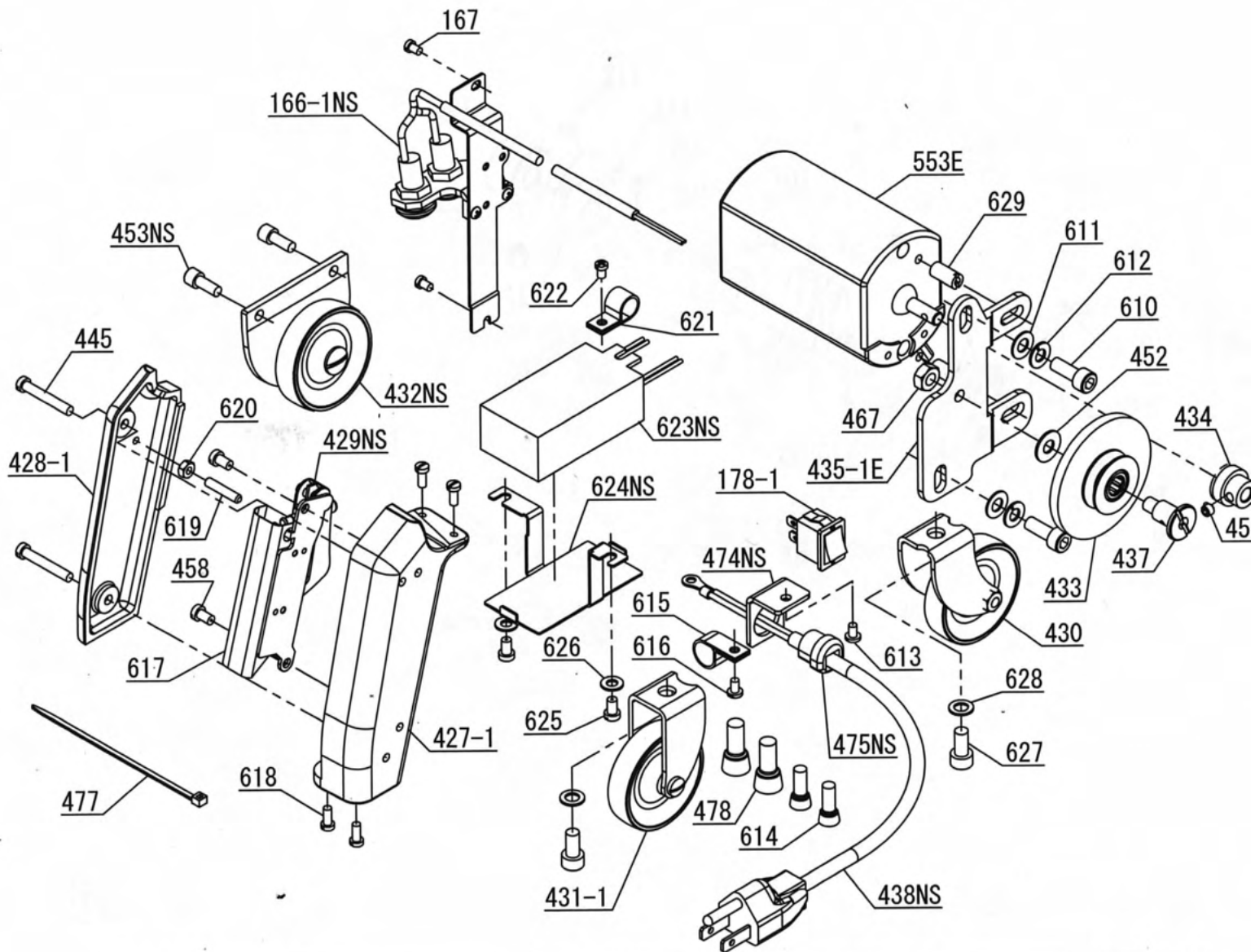
Part No.	Name of parts	Qty	Part No.	Name of parts	Qty
14	Presser regulator	1	518	Hinge screw	1
20	Presser bar spring bracket	1	532NS	Set screw for 604	4
21	Set screw for 20	1	536NS	Set screw for 512NS	1
22	Presser foot lifter	1	542	Set screw for 517-1	2
23	Presser foot lifter hinge stud	1	543	Set screw for 506	4
403	Roller	1	543-1	Set screw for 563	3
404	Roller bracket	1	545	Nut	1
406	Presser bar	1	549-1	Set screw for 515NS	2
442	Presser spring	1	557	Washer for 512NS	1
449	Set screw for 404	1	558	Supporting screw for 512NS	1
450	Set screw for 403	2	560	Joint pin	1
505NS	Connecting shaft	1	561	Washer for hinge screw 518	1
506	Joint	1	562	Washer for hinge screw 518	1
510	Roller shaft	1	563	Clutch shaft connector	1
512NS	Clutch shaft	1	604	Clutch connecting crank	1
513NS	Clutch	1	605	Clutch holder base	1
515NS	Clutch holder asm.	1	606	Set screw for 515NS	2
517-1	feed driving shaftconnecting rod	1			



Part No.	Name of parts	Qty				
64	Forked rod hinge screw w/nut	1				
128	Feed rock shaft asm.	1				
129	Screw center w/nut for 128	2				
131	Set screw for 419	2				
137	Feed crank asm.	1				
138	Spring holder w/spring for 137	1				
139	Set screw for 137	1				
140	Set screw for 138	1				
418	Feed dog	1				
419	Needle plate	1				
440	Binder plate	1				
443	Set screwfor 418	2				
454	Set screwfor 440	1				
645	Set screw for Attachment	2				
646	Washer for Attachment	2				

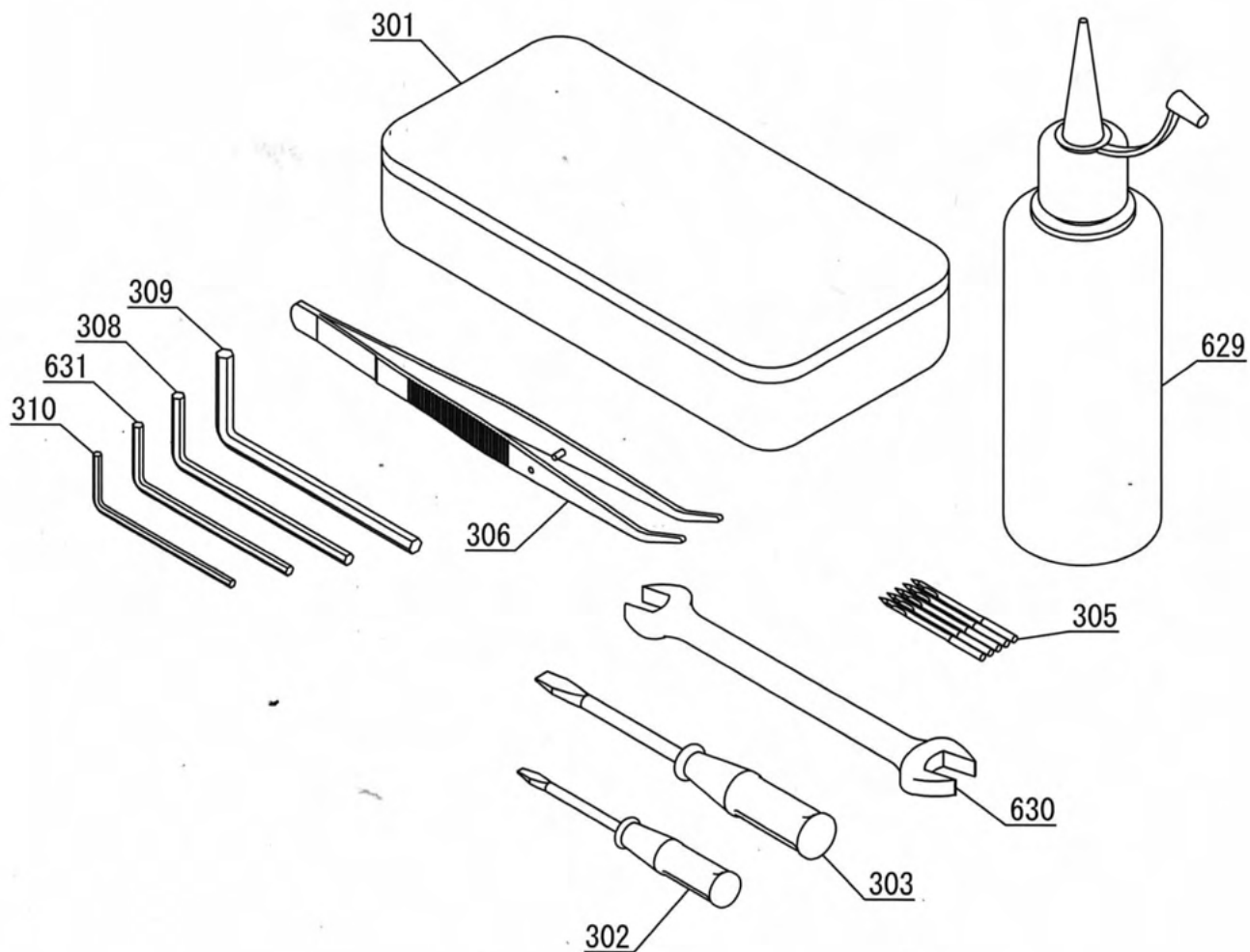


Part No.	Name of parts	Qty	Part No.	Name of parts	Qty
101	Shuttle race	1	119	Lower shaft	1
102	Shuttle race retaining ring	1	120	Lower shaft front bushing	1
102S	Race cap spring	1	121	Set screw for 120	2
103	Set screw for 101	1	122	Lower shaft cam	1
105NS	Shuttle driver shaft shuttle driver	1	123	Set screw for 122	1
106	Shuttle driver shaft bushing	1	124	Lower shaft back bushing	1
107	Set screw for 106	1	125	Set screw for 124	1
108	Shuttle driver shaft collar	1	126	Lower shaft crank	1
109	Set screw for 108	2	127	Set screw for 126	2
110	Shuttle driver shaft bevel gear	1	130	Shuttle cleaner	1
111	Set screw (A) for 110	1	133	Gear box cover	1
112	Set screw (B) for 110	1	134	Plastic packing	1
113	Lower shaft bevel gear	1	135	Set screw for 133	3
114	Set screw (A) for 113	1	176	Washer for 119	2
115	Set screw (B) for 113	1	607	Thrust collar	2
116	Shuttle hook	1	608	Set screw for 608	4
117	Bobbin case	1	609	Washer for 126	2
118	Shuttle driving spring	1			



Part No.	Name of parts	Qty	Part No.	Name of parts	Qty
166-1NS	LED light asm.	1	478	Closed-end connector	2
167	Set screw for 166-1	2	553E	Motor 230V 120W	1
178-1	Switch	1	610	Set screw for 435-1	2
427-1	Switch handle	1	611	Washer for 435-1	2
428-1	Switch handle cover	1	612	Spring washer for 435-1	2
429NS	Switch	1	613	Set screw for 474NS	1
430	Caster A	1	614	Closed-end connector	2
431-1	Caster B	1	615	Cord clamp (nk-8n)	1
432NS	Caster C	1	616	Set screw for 615	1
433	Large gear asm. (in needle bearing)	1	617	Insulation sheet	1
434	Small gear	1	618	Set screw for 427-1	4
435-1E	Motor bracket	1	619	Screw(set)	1
437	Large gear shaft	1	620	Nut	1
438NS	Connector cable	1	621	Cord clamp (nk-6n)	1
445	Set screw for 428-1	2	622	Set screw for 621	1
451	Set screw for 434	1	623NS	Power supply	1
452	Washer for 433	1	624NS	Power supply bracket	1
453NS	Set screw for 432NS	2	625	Set screw for 624	2
458	Set screw for 429NS	2	626	Washer for 624	2
467	Nut for 433	1	627	Set screw for caster A & B	2
474NS	Plate	1	628	Washer for caster A & B	2
475NS	Bush	1	629	Nut for 553E	2
477	Band	5			

ACCESSORIES



Part No.	Name of parts	Qty				
301	Accessory box	1				
302	Screwdriver-small	1				
303	Screwdriver-large	1				
305	Needle(5 pieces)	1				
306	Tweezers	1				
308	Hexagonal wrench (3mm)	1				
309	Hexagonal wrench (4mm)	1				
310	Hexagonal wrench (2mm)	1				
629	Oiler asm.	1				
630	Spanner	1				
631	Hexagonal wrench (2.5mm)	1				